

HFV7A

AUTOMOTIVE RELAY



Typical Applications

Rear window defogger, Battery disconnection, Fog lamp & headlight control, ABS and traction control system, Fuel pump control, Air-conditioning, Cooling fan (multi-speed), Engine cooling fan, A/C blower, Horn

Features

- 50A switching capability
- Ambient temp. up to 125°C
- SPST, SPDT contact arrangement
- Sealed IP67 and dust cover structure
- With transient suppression resistor

CONTACT DATA

Contact Arrangement	1A,1C
Max. switching current	50A
Max. switching voltage	50VDC
Max. continuous current	50A(23°C) 30A(125°C)
Contact Rating (Res.load)	1 Form A: 50A 14VDC 1 Form C: NO/NC 50/30A 14VDC
Max. switching power	700W
Contact Material	AgNi , AgSnO ₂
Initial contact resistance	Max. 50m Ω (at 1A 24VDC)
Electrical life	1 x 10 ⁵ ops(at 50A 14VDC,23°C)
Mechanical life	1x 10 ⁷ OPS

CHARACTERISTICS

Insulation resistance	100M°C
Dielectric Strength	500VAC 1min.
Operate time	Max. 10ms
Release time	Max. 7ms
Vibration Resistance	10-500Hz 49m/s ² (5g)
Shock resistance	200 m/s ² (20g)
Ambient temp.	-40°C to +125°C
Weight	Approx.40g
Termination	Plug-in
Construction	Sealed IP67 & Dust cover

COIL

Coil power	1.6 W, 2.2W
Coil Voltage	6VDC,12VDC,24VDC

COIL DATA

Standard

Nominal Voltage VDC	Pick-up Voltage VDC	Drop-out Voltage VDC	Coil Resistance Ω	Max. coil Voltage VDC 85°C	Parallel Resistor Ω
6	3.2	0.6	22.5	9	180
12	7.2	1.2	90	18	680
24	14.4	2.4	360	34	2700

High Power Consumption

Nominal Voltage VDC	Pick-up Voltage VDC	Drop-out Voltage VDC	Coil Resistance °C	Max. coil Voltage VDC 85°C	Parallel Resistor Ω
6	3.2	0.6	18	7.0	180
12	7.2	1.2	72	14	680
24	14.4	2.4	288	28	2700



HONGFA RELAY
ISO9001、ISO/TS16949、ISO14001 CERTIFIED

VERSION: EN02-20040601

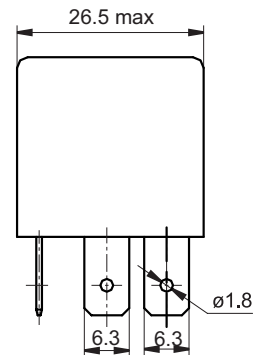
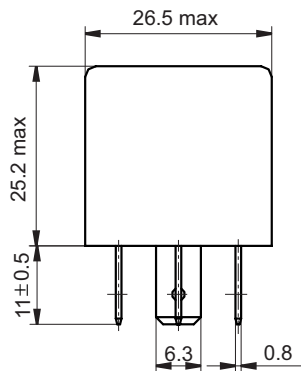
ORDERING INFORMATION

Type	HFV7A / 012 Z S P T R XXX						
Coil voltage	6,12, 24VDC						
Contact arrangement	H: 1 Form A Z: 1 Form C						
Structure	S: Sealed IP67 Nil: Dust cover						
Coil power	Nil: Standard P: High power consumption						
Contact Material	T: AgSnO ₂ 3: AgNi0.15						
Transient Suppression Resistor	R: With resistor Nil: Without resistor						
Customer special request code							

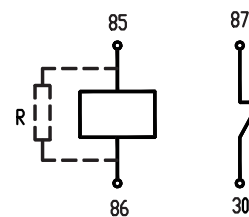
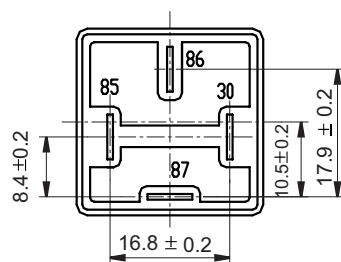
OUTLINE DIMENSIONS, WIRING DIAGRAM AND PC BOARD LAYOUT

HFV7A/ (1 Form A)

Outline Dimensions

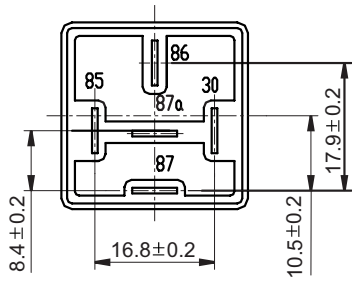
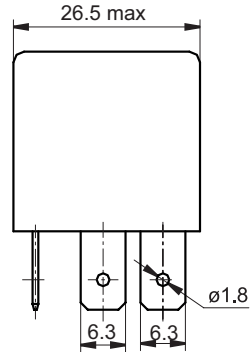
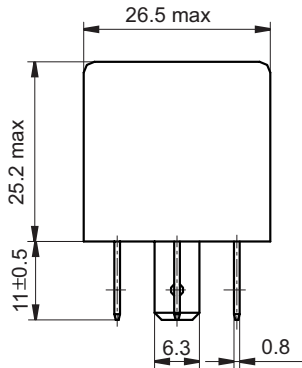


Wiring Diagram

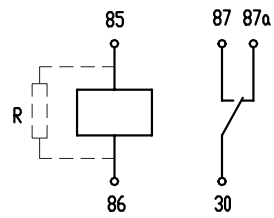


HFV7A / (1 Form C)

Outline Dimensions

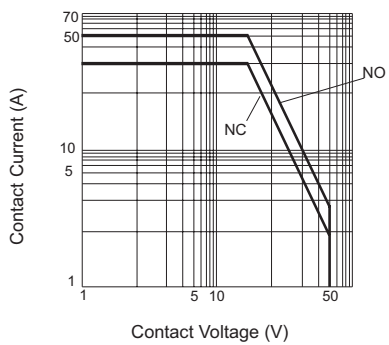


Wiring Diagram



CHARACTERISTICS CURVE

Contact Capacity



Coil Operating Range

